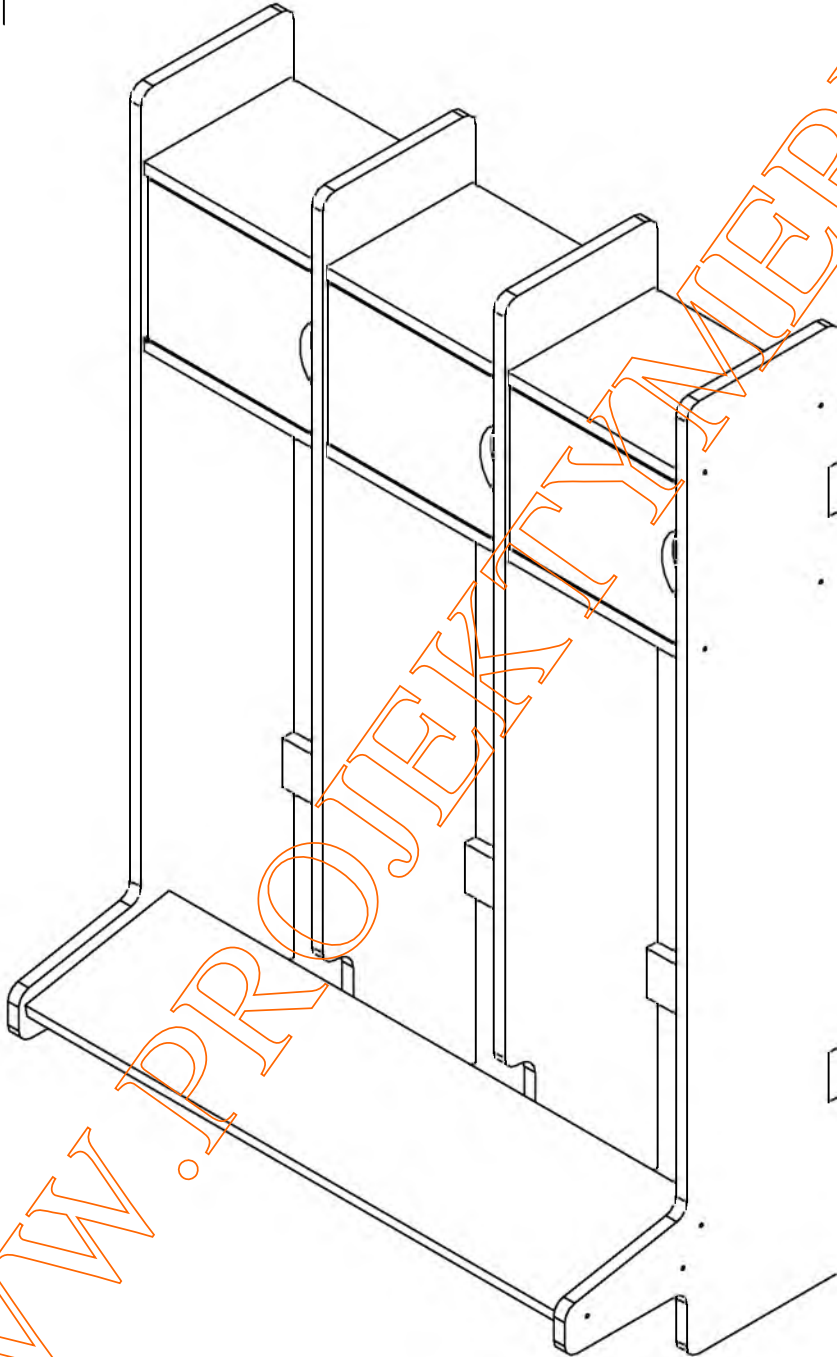
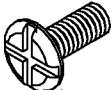
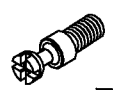

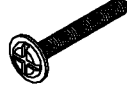
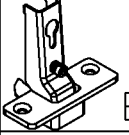
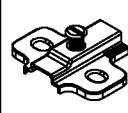

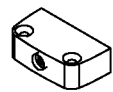
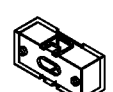







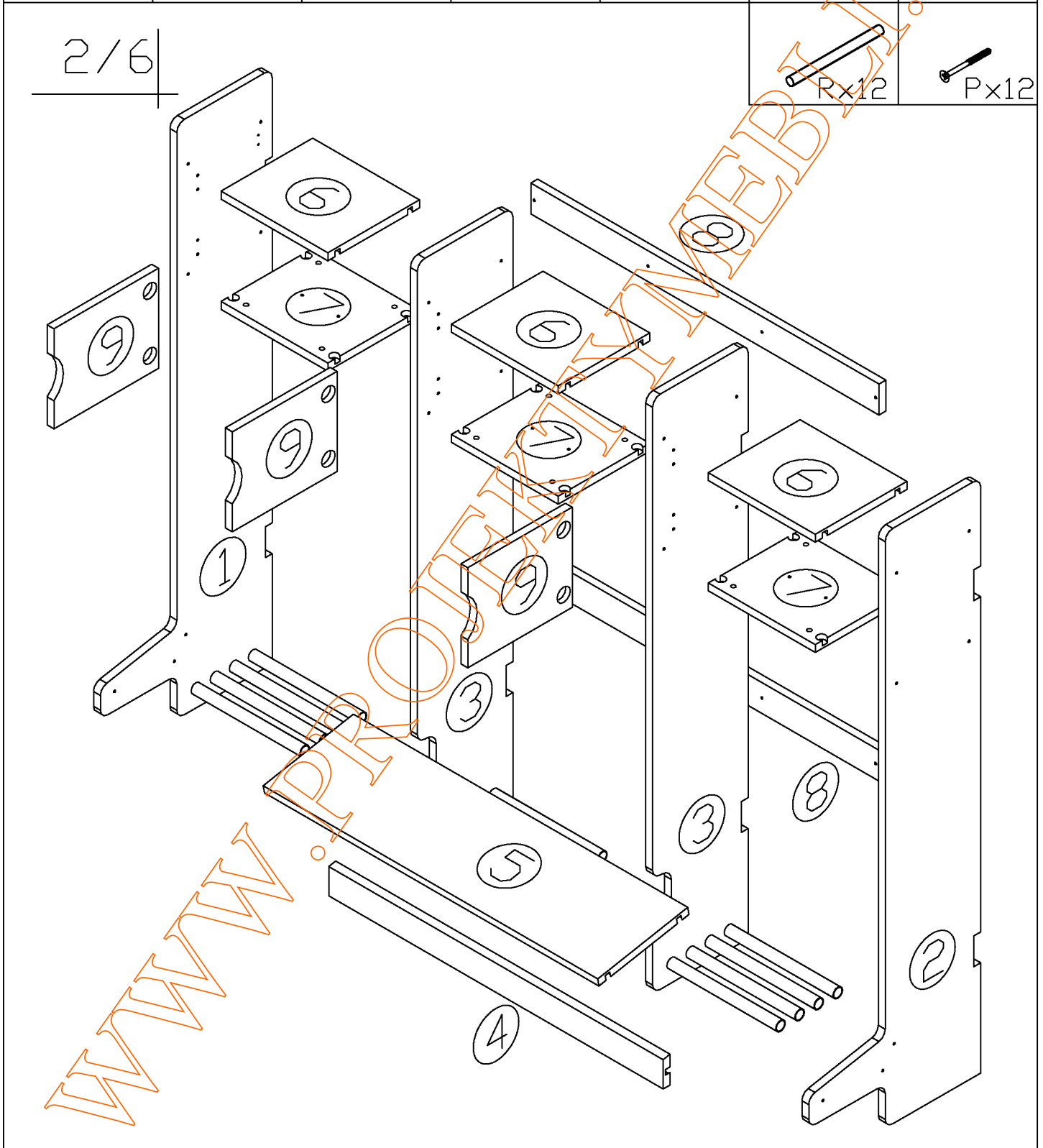


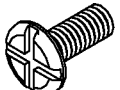
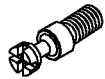



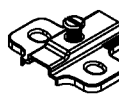

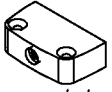
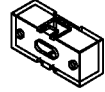
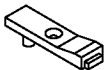

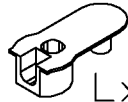
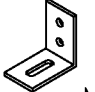



1/6

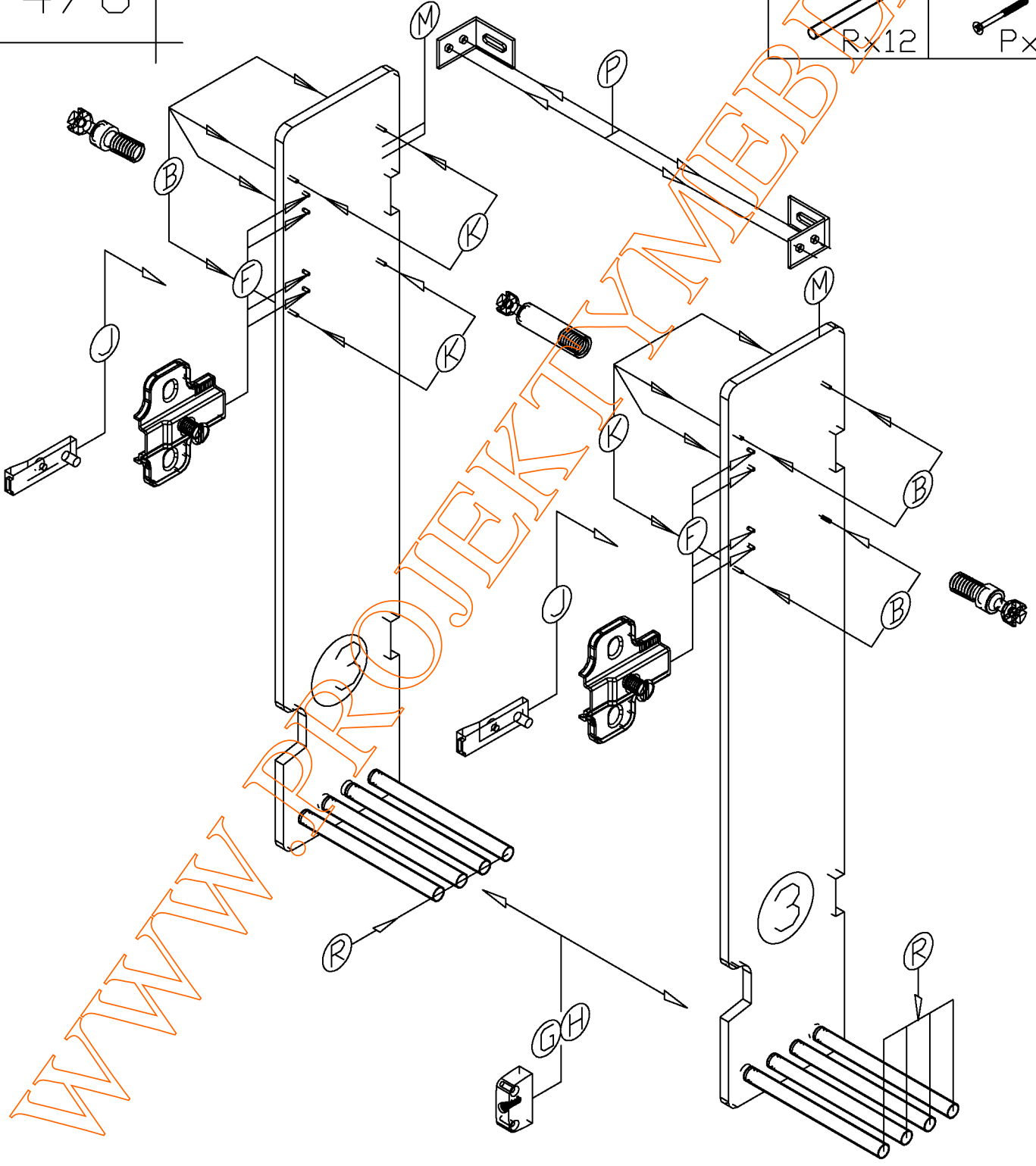


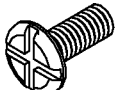
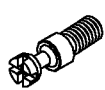


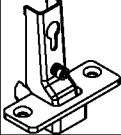
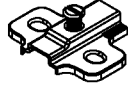

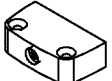
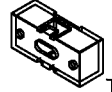
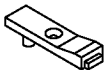
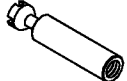
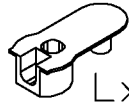




WWW.PROJEKTYMEBLI.U

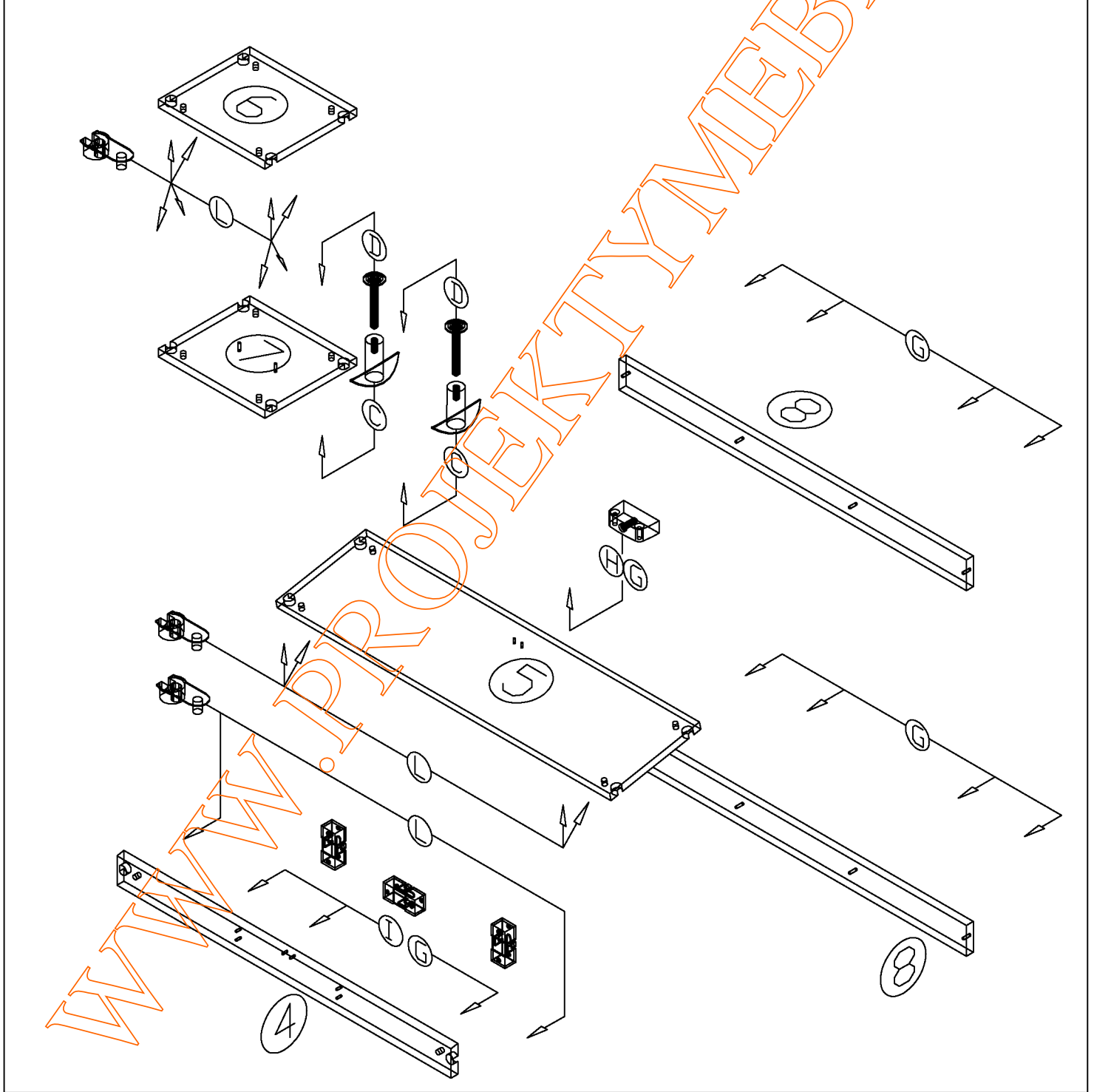
 A x 14	 B x 8	 C x 6	 D x 12	 E x 6	 F x 6	 G x 32
 H x 3	 I x 3	 J x 3	 K x 22	 L x 30	 M x 4	 N x 4
2/6					 R x 12	 P x 12

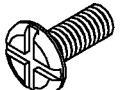
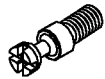



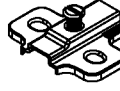

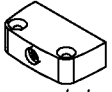
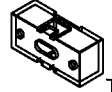

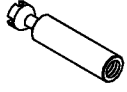
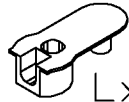






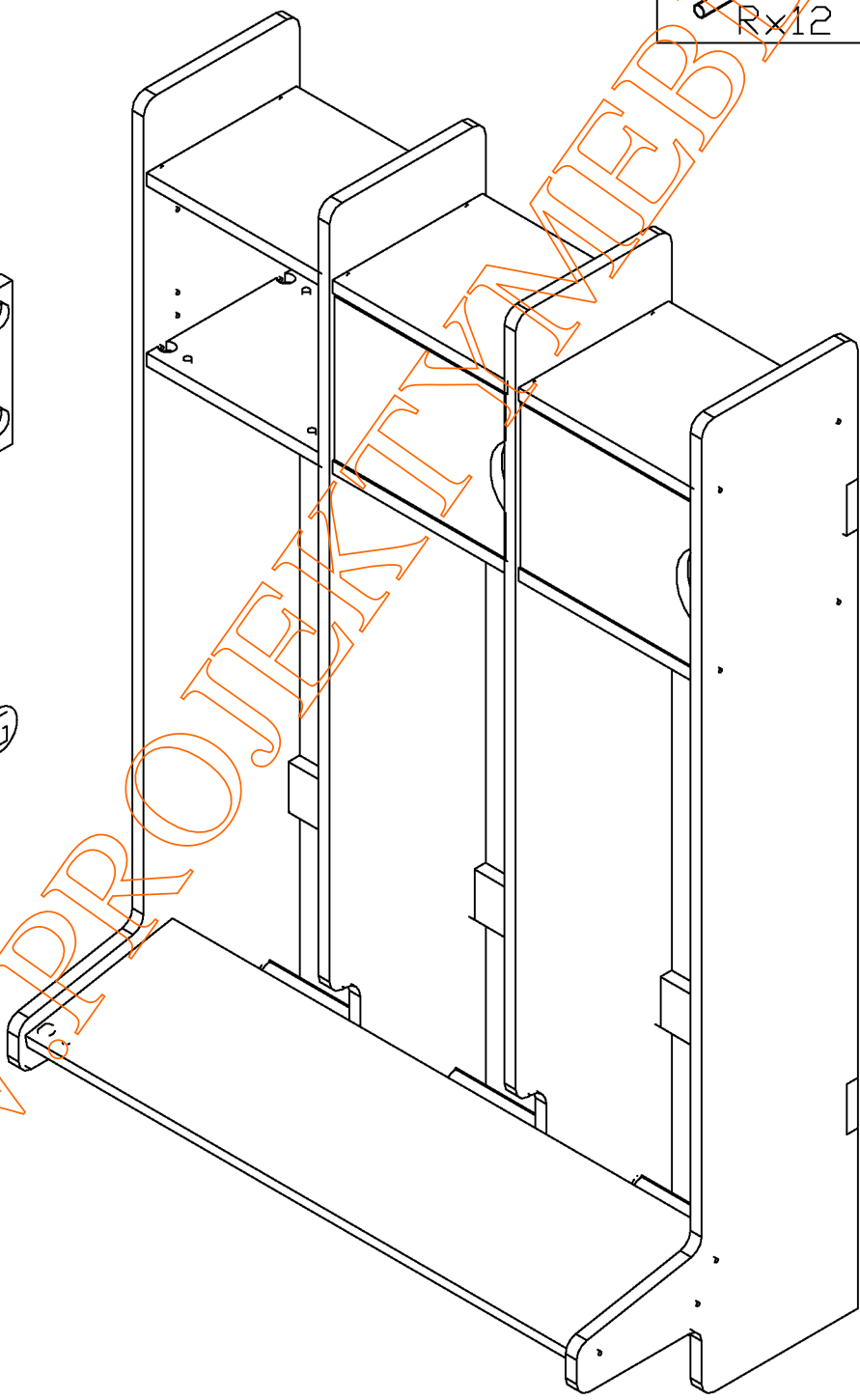
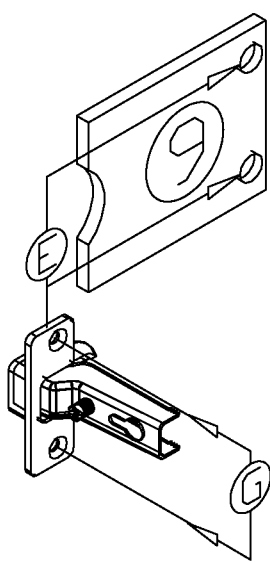
 Ax14	 Bx8	 Cx6	 Dx12	 Ex6	 Fx6	 Gx32
 Hx3	 Ix3	 Jx3	 Kx22	 Lx30	 Mx4	 Nx4
4/6					 Rx12	 Px12



 Ax14	 Bx8	 Cx6	 Dx12	 Ex6	 Fx6	 Gx32
 Hx3	 Ix3	 Jx3	 Kx22	 Lx30	 Mx4	 Nx4
5/6					 Rx12	 Px12



 Ax14	 Bx8	 Cx6	 Dx12	 Ex6	 Fx6	 Gx32
 Hx3	 Ix3	 Jx3	 Kx22	 Lx30	 Mx4	 Nx4
6/6					 Rx12	 Px12



WWW.PROJEKTYMEBLI.PL